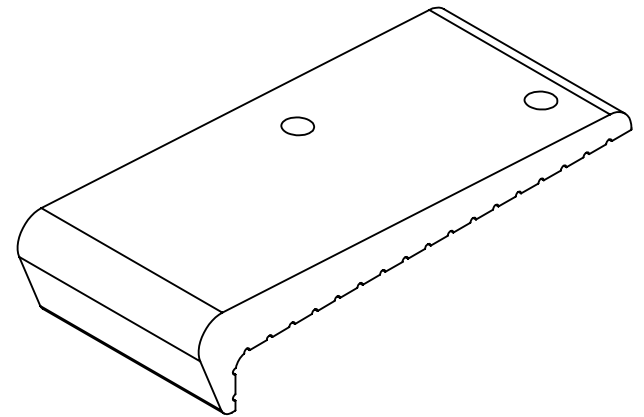
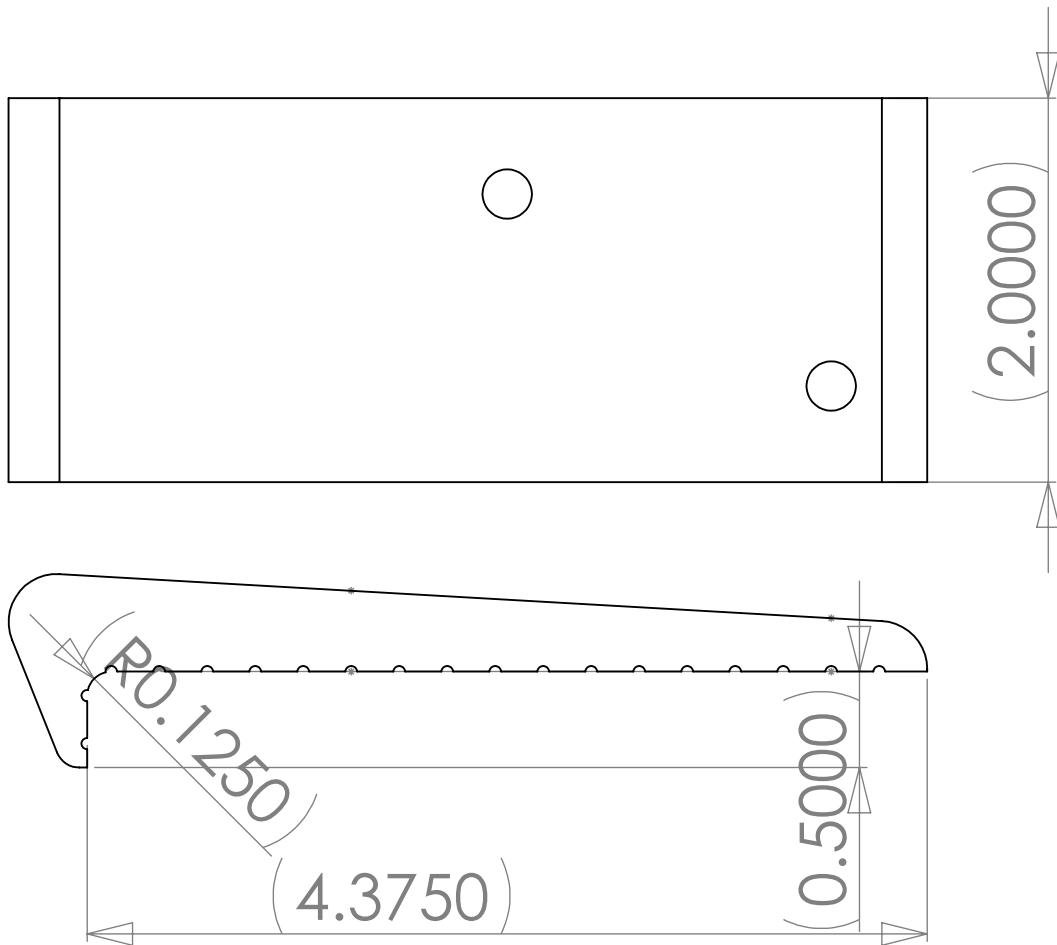


THE INFORMATION CONTAINED IN THIS DRAWING IS THE SOLE PROPERTY OF INTELLICEPT. ANY REPRODUCTION IN PART OR WHOLE WITHOUT THE WRITTEN PERMISSION OF INTELLICEPT IS PROHIBITED.



Material: 6061T6 Aluminum

Finish: Hard tumble to remove all machined and/or cut edges.
Type II clear anodize, Hard Anodize or outdoor rated polyurethane coat.

Anchoring: Two offset thru holes for Smart Pins Plus. Use in conjunction with two-part impact resistant epoxy.

Product Spacing: 18" from end of planter/wall and approximately 36" centers.