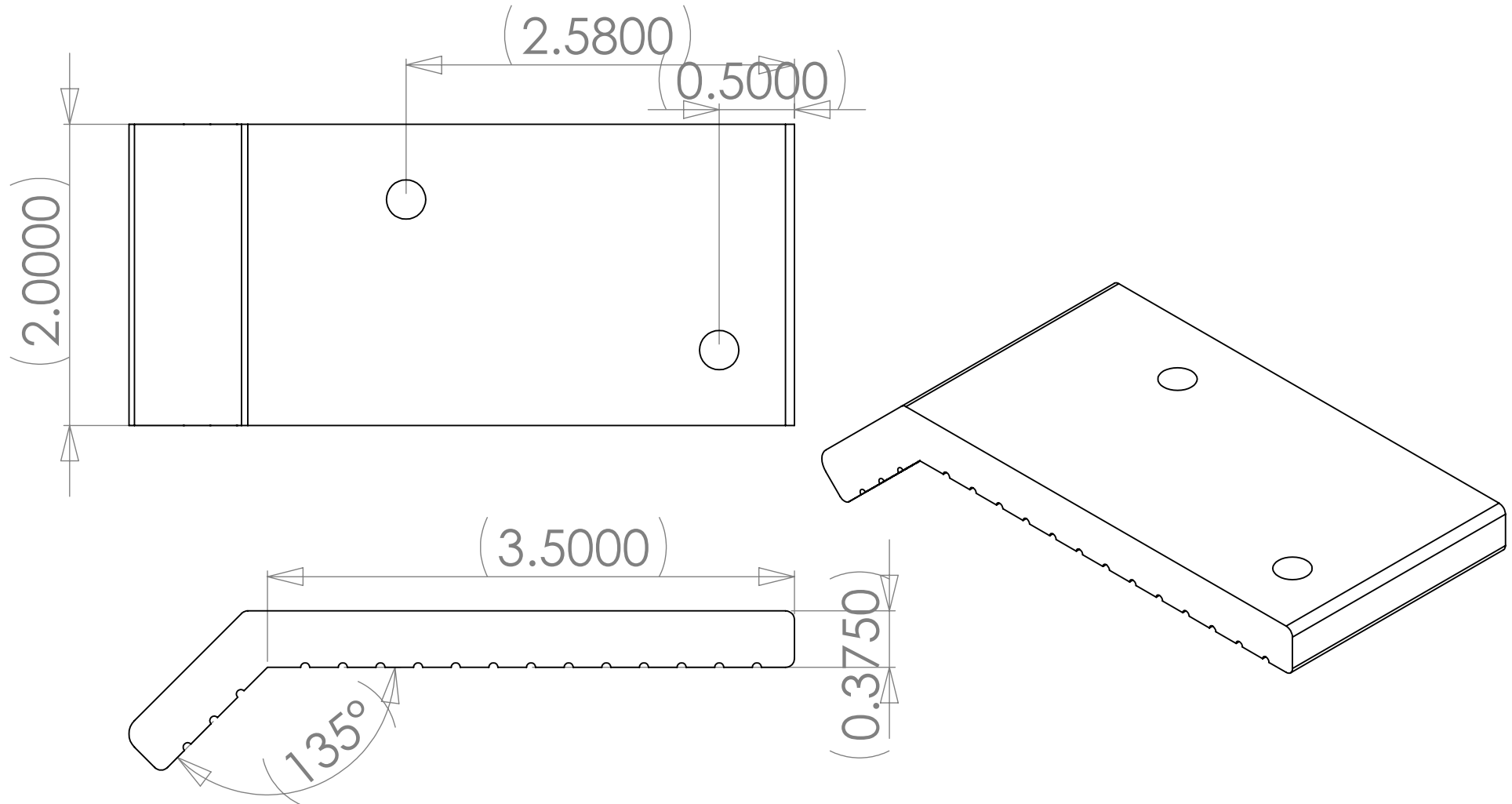


THE INFORMATION CONTAINED IN THIS DRAWING IS THE SOLE PROPERTY OF INTELLICEPT. ANY REPRODUCTION IN PART OR WHOLE WITHOUT THE WRITTEN PERMISSION OF INTELLICEPT IS PROHIBITED.



Material: 6061-T6 Aluminum.

Finish: Hard tumble to remove all machined and/or cut edges.  
Type II Clear Anodize, Hard Anodize or outdoor rated Polyurethane Coat.

Anchoring: Two offset thru holes for Smart Pins Plus.  
Use anchors in conjunction with two-part impact resistant epoxy.

Product Spacing: 18" from end of planters/walls and approximately 36" centers.